

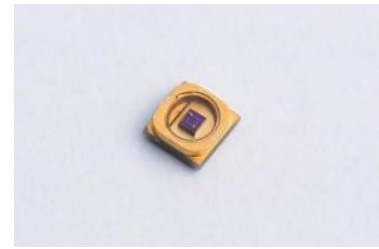


SiC-based UV photodiode

Model: SS-ABC-3535LQC

General Features:

- UVA+UVB+UVC
- P ac
- SMD 3535 c a c ac a a
- G a b
- H a a c

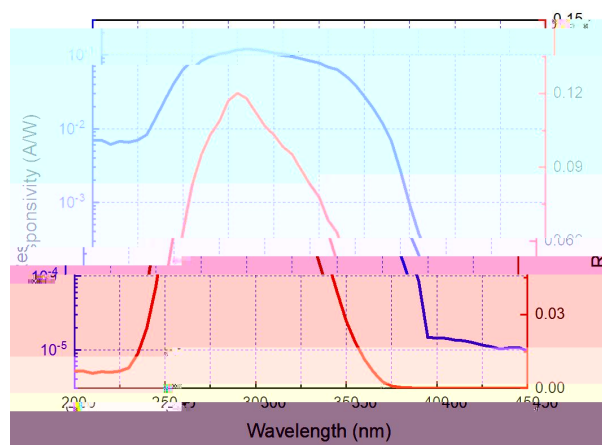


Applications:

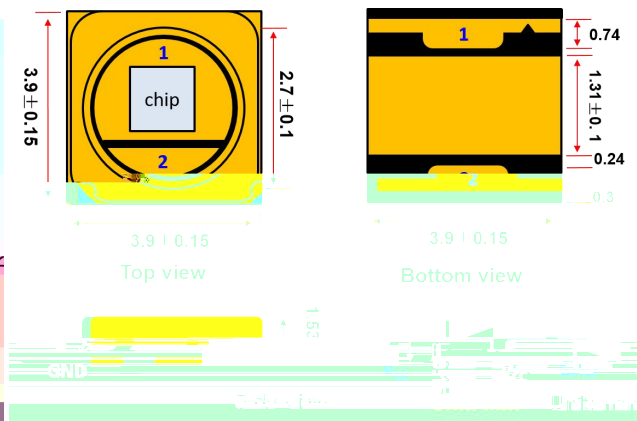
Specifications:

Parameters	Symbol	Value	Unit
Maximum ratings			
O a	T	-25-100	C
S a	T	-40-110	C
S a (3)	T	260	C
R a	V - a	-20	V
General characteristics (25 °C)			
C	A	1	²
Da c (V = -5 V)	↓	<10	A
T a c c (@265)	T _c	0.065	%/ C
Ca ac a c (a 0 V a 1 MH)	C	97	F
Spectral response characteristics (25 °C)			
Wa a		280	
P a (a 280)	R _a	0.12	A/W
S c a a (R=0.1 R _a)	-	230-360	
UV- b c a (R _a /R ₄₀₀)	-	>10 ⁴	-

Spectral response



Package dimensions

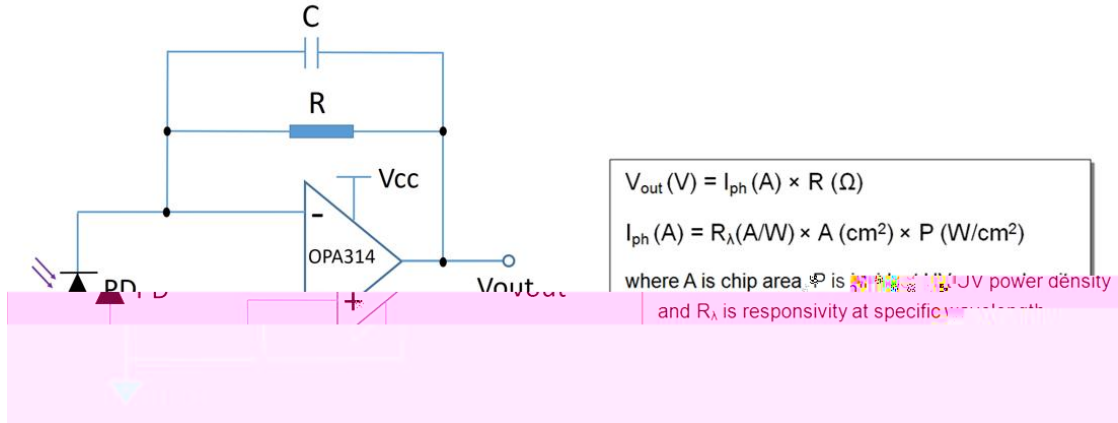




SiC-based UV photodiode

Model: SS-ABC-3535LQC

Application circuit:



Evaluation circuit board:

