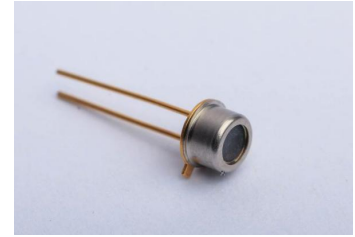


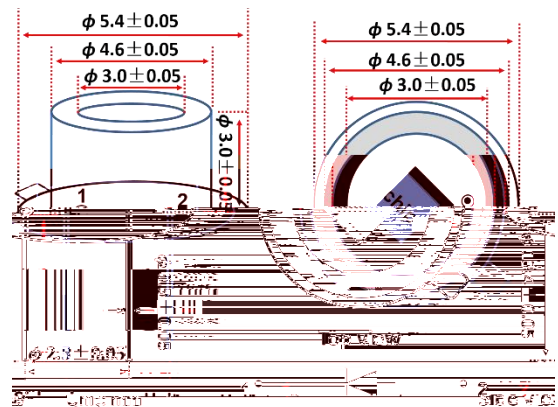
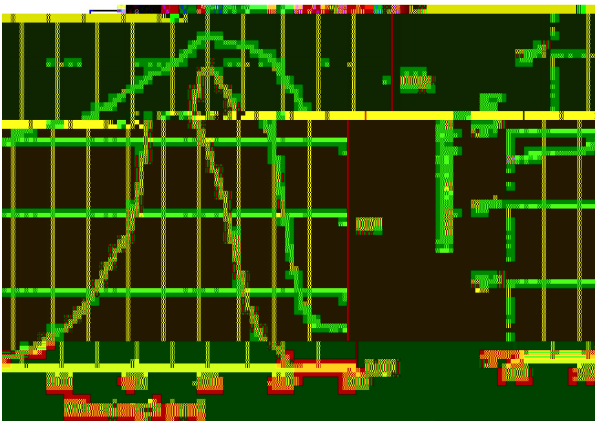


:

- 
- 
- 
- 

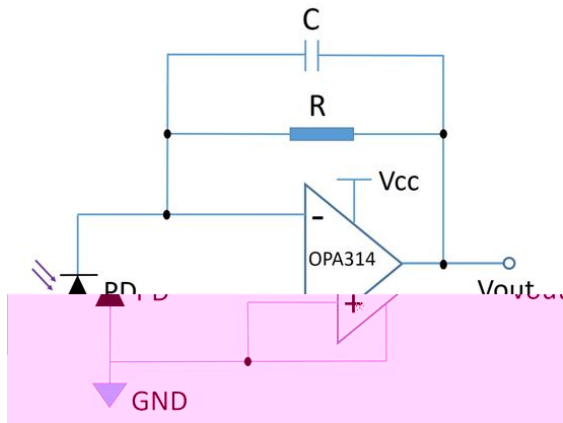


| Header Row |  |  |  |
|------------|--|--|--|
|            |  |  |  |
|            |  |  |  |
|            |  |  |  |
|            |  |  |  |
|            |  |  |  |
|            |  |  |  |
|            |  |  |  |
|            |  |  |  |
|            |  |  |  |
|            |  |  |  |
|            |  |  |  |
|            |  |  |  |
|            |  |  |  |
|            |  |  |  |
|            |  |  |  |
|            |  |  |  |
|            |  |  |  |





:



$$V_{out}(V) = I_{ph}(A) \times R(\Omega)$$

$$I_{ph}(A) = R_{\lambda}(A/W) \times A(\text{cm}^2) \times P(W/\text{cm}^2)$$

where A is chip area,  $\Phi$  is UV power density and  $R_{\lambda}$  is responsivity at specific wavelength.

