



GaN-based UV photodiode

Model GS-ABC-1808S

General Features:

- UVA+UVB+UVC photodiode
- Photovoltaic mode operation
- Ultra-small SMD 1808 package
- Good visible blindness
- High responsivity and low dark current

Applications: UV index monitoring, UV radiation dose measurement

Specifications:

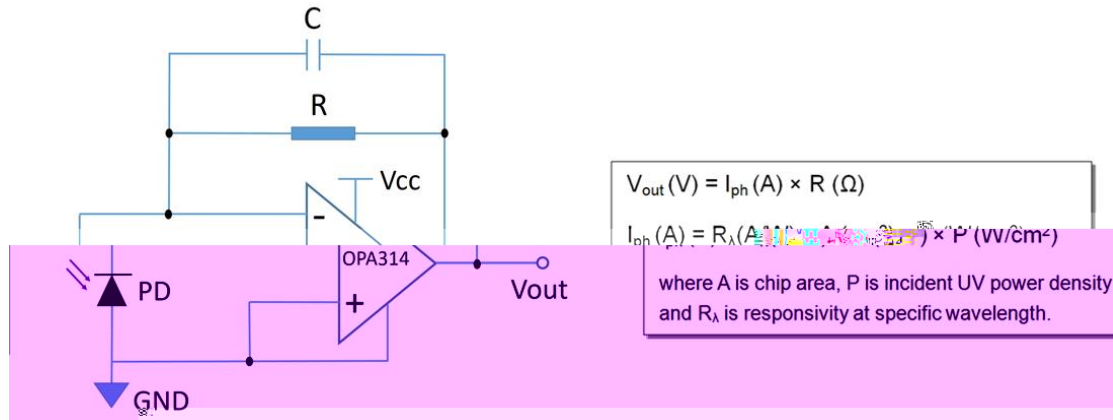




GaN-based UV photodiode

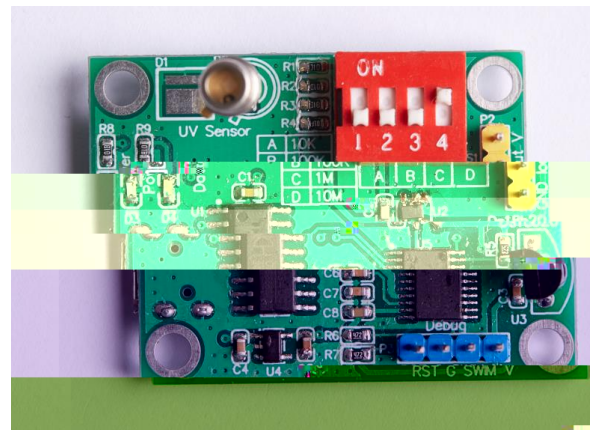
Model GS-ABC-1808S

Application circuit:



Evaluation circuit board:

A small multifunctional amplifier board for developers to simplify and support application development can be separately provided. The evaluation board with one amplifier channel supports both SMD- and TO-type packaged UV photodiodes supplied by GaNo Opto. Users could select one of the two mounting ports for UV photodiode evaluation, while both ports should not be used at the same time.



The evaluation board supports measurement range adjustment function via a dip switch. Different setting of the dip switch corresponds to different load resistance value, which determines the amplification magnitude of the signal processing circuit. A temperature sensor on board is used for embedded temperature compensation.

The UV photodiode evaluation board has both analog and digital output interface. Analog interface provides voltage si